

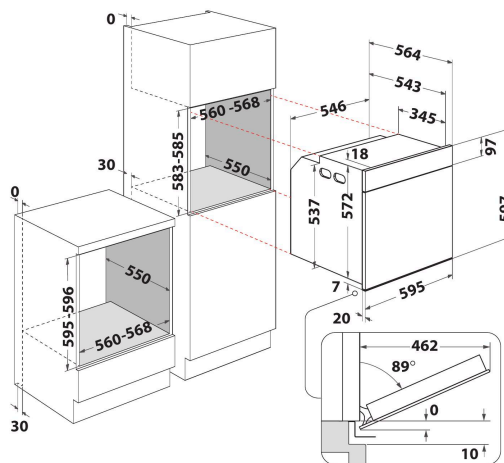
WOI9A8PT2SBA

12NC: 859991683170

GTIN (EAN) code: 8003437836626

Whirlpool

SENSING THE DIFFERENCE



- 6TH Sense technology
- 6thSense Live
- FlexiClean
- Energy class A+
- Cavity 73 L
- Cook4
- Ready2Cook
- Defrost function
- Forced Air Fan Cooking
- BakeSense
- Grill
- Easy Clean Enamel Interior
- Turbo grill function
- Maxi cooking
- Pastry function
- High Heat Pizza
- Warm Keeping

Whirlpool built in electric oven: black color - WOI9A8PT2SBA

This Whirlpool built in Oven features: advanced electric technology allowing you to cook dishes saving energy. Exclusive 6th SENSE technology, that allows you to pick among a variety of pre-programmed recipes, and your oven will automatically adjust cooking, temperature and time settings, to ensure perfect results. Ready2Cook function, that uses a powerful convection system to quickly reach the right temperature, and completely eliminate pre-heating need. Innovative Cook4 function, that allows you to cook up to four separate dishes at the same time, without the risk of aromas mixing.



6th Sense Automatic Recipes

The cooking process is fully automated with 6TH Sense Menu recipes.



6th Sense

Ready-to-use recipes. Select one of 30 pre-set recipes, and your oven will automatically adjust cooking, temperature and time settings, while continually monitoring your dishes, to ensure perfect results.



SteamSense 3 levels

3 Levels of steam cooking: 25%, 50%, and 75% injected steam. Steam cooking for all types of recipes.



Connectivity

Connect to the appliance remotely through your handheld device.



Airfry

Enjoy crispy and delicious results with no additional oil, thanks to AirFry.



FlexiClean

Two cleaning options in the same oven, allowing you to clean it effortlessly no matter the occasion.



Pyrolytic technology

Spotless cleaning at the touch of a button. Pyrolytic technology uses a high-temperature cycle to burn food residues into ashes, which can then be easily wiped away with a sponge. Heat-reflecting glass panels in the oven door ensure that the external temperature stays low, for added safety.



Energy class A+

Greater energy efficiency. With its A+ energy rating, this Whirlpool appliance will allow you to enjoy both ideal performance and excellent energy consumption.



High Heat Pizza

Easily bake pizza. Delicious results in under 12 minutes without the need for accessories like a pizza stone

WOI9A8PT2SBA

12NC: 859991683170

GTIN (EAN) code: 8003437836626

Whirlpool

SENSING THE DIFFERENCE

MAIN FEATURES

Product group	Oven
Commercial code	WOI9A8PT2SBA
Main colour of product	Black
Construction type	Built-in
Type of control	Electronic
Type of control settings	-
Are any hobs controls integrated?	No
Which kind of hobs can be controlled?	-
Automatic programmes	Yes
Current (A)	16
Voltage (V)	220-240
Frequency (Hz)	50
Length of Electrical Supply Cord (cm)	100
Plug type	No
Depth with open door 90 degree (mm)	-
Height of the product	597
Width of the product	595
Depth of the product	564
Minimum niche height	583
Minimum niche width	560
Niche depth	550
Net weight (kg)	40.3
Usable volume (of cavity)	73
Integrated Cleaning system	Pyrolytic+Hydrolytic
Grids of the cavity	1
Trays	3

TECHNICAL FEATURES

Timer	Yes
Time control	Electronic
Time-setting options	Start and Stop
Safety device	-
Interior light	Yes
Number of interior lights of the cavity	1
Position of interior lights of the cavity	Rear
Oven guides of the cavity	Telescopic
Probe of the cavity	No

PERFORMANCES

Energy input	Electric
Type of energy of the cavity	Electricity
Energy efficiency class - NEW (2010/30/EU)	A+
Energy consumption per cycle conventional - NEW (2010/30/EU)	0.64
Energy consumption per cycle forced air convection - NEW (2010/30/EU)	0.87

ENERG Y UA
енергия · ενεργεια IE 1A

WHIRLPOOL WOI9A8PT2SBA

A+

73 L

0.64 kWh/cycle*

0.87 kWh/cycle*

* ημερησια - cyklus - portion - zykus - nalyapayama - ciclo - tsükkel - ohjelma - ciklus - cikls - ciklu - cyclus - cykl - ciclu - program - cykel

65/2014