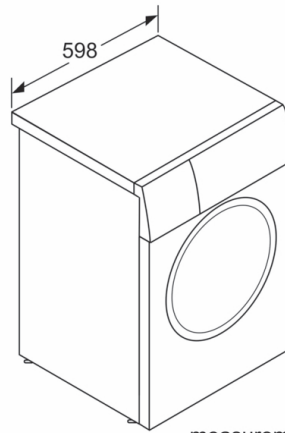
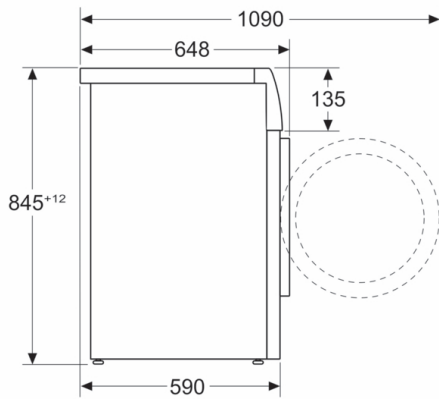


**Series 8, washing machine, frontloader  
fullsize, 10 kg, 1600 rpm  
WGB256A0ME**

Measurements in mm



measurements in mm

## Series 8, washing machine, frontloader fullsize, 10 kg, 1600 rpm WGB256A0ME

**A highly efficient washing machine.  
Maximises your energy savings with A-20%\*  
and reduces your ironing pile with Iron  
Assist.**

- WGB256A0ME
- Frontloader XL Washer, freestanding

### Engine Power and Consumption

- Energy Efficiency Class<sup>1</sup>: NA
- A -20%: 20% more efficient than the limit value of Energy Efficiency Class A\*\*\*\*
- Load capacity: 10 kg
- Spin power / spin speed<sup>\*\*</sup>: 400 - 1600 U/min

### Programmes

- standard programmes: cottons, easy care, delicate/silk, wool / hand wash
- automatic programme: sensorcontrolled washing and dosage
- Special programmes: App, automatic, ironAssist, Hygiene, Spin / Drain, Family Mix, single rinse, Duvet, Quick 15'/30'
- programmes via app: Down, Drum clean with reminder, Curtains, Shirts, Jeans/dark laundry, Sports/fitness

### Options

- Home Connect: Smart Start, Remote Monitoring and Control, Remote Diagnostics, Onboarding, further programmes via download. Always keep your appliance up to date via firmware update.
- Stain automatic - 6 stains at the touch of a button, 10 further stains via Home Connect
- TouchControl buttons: basic setup, On/off, end time delay, stain selection, i-DOS, i-DOS, Intensive Plus, child lock, more options, night wash, Rinse plus, Remote Start, start/pause with reload function, Temperature, SpeedPerfect, Prewash, Spin speed selection/Rinse hold

### comfort and safety

- Reload function: Be flexible in adding laundry items even after start of the wash cycle.
- Elegant and ergonomically inclined control panel for easy use
- 4D Wash System: highly efficient water and detergent fabric penetration for spotless results.
- Hygiene / Hygiene Plus: clean laundry and killing germs effectively
- Mini Load: Wash single items and small loads efficiently
- XXL 70 l
- interior drum light: LED
- VarioDrum: gentle and efficient washing
- 32 cm porthole, chrome, white with 182° opening door
- pause / reload function
- EcoSilence Drive: quiet motor with long lifetime
- 10 years guaranty on EcoSilence Drive
- AntiVibration Design: more stability and quietness
- ActiveWater Plus: for highly efficient use of water even with smaller loads thanks to automatic load detection.
- Sound insulation by bottom cover
- Sound insulation by additional damping material
- AquaStop®: Bosch' warranty in case of water damage – for the lifetime of the appliance.\*
- Touch dial w touch button
- Foam detection system to remove excessive foam
- Overdosage indication
- Unbalanced load detection
- Child-proof lock
- Buzzer at the end of the programme
- Easy Cleaning Drawer
- Usage meter: counts completed programmes

### Technical Information

- Slide-under height of 85cm
- Dimensions (H x W): 84.5 cm x 59.8 cm
- Appliance depth: 59.0 cm
- Appliance depth incl. door: 64.8 cm
- Appliance depth with open door: 109.0 cm

<sup>1</sup> Scale of Energy Efficiency Classes from A to G

<sup>2</sup> Energy consumption in kWh per 100 cycles (in programme Eco 40-60)

<sup>3</sup> Weighted water consumption in litres per cycle (in programme Eco 40-60)

<sup>4</sup> Duration of programme Eco 40-60

\*\* Values are rounded.

**Series 8, washing machine,  
frontloader fullsize, 10 kg, 1600 rpm  
WGB256A0ME**



**Optional accessories**

WMZ2200 : Floor securing component  
 WMZ2381 : Extension for cold water inlet /Aquastop  
 WMZPW20W : Platform with pull-out, washer, cubic

**A highly efficient washing machine.  
Maximises your energy savings with  
A-20%\* and reduces your ironing pile with  
Iron Assist.**

- 10kg capacity gives you the opportunity to fit more in one wash, saving time and energy while providing perfect washing results.
- **i-DOS:** automatically measures the precise amount of detergent and water needed.
- Receive cycle status notifications or remote start your washer and dryer with the Home Connect™ app.
- **4D Wash System:** highly efficient water and detergent penetration for spotless results.
- **Easy Start Guide:** effortlessly choose the best wash program with our quick Start Guide.

**Technical Data**

Built-in / Free-standing : Free-standing  
 Door hinge : Left  
 Color / Material body : White  
 Length electrical supply cord : 160.0 cm  
 Height of the appliance : 845 mm  
 Dimensions of the product : 845x598x590 mm  
 Wheels : No  
 Net weight : 83.8 kg  
 Drum volume : 70 l  
 Door Frame : Chrome, white  
 Noise level washing : 49 dB(A) re 1pW  
 Connection Rating : 2300 W  
 Fuse protection : 10 A  
 Voltage : 220-240 V  
 Frequency : 50 Hz  
 Cord included : Yes  
 Plug type : Gardy plug w/ earthing  
 Length of supply hose (in) : 59.05 "  
 Dimensions of the packed product : 34.44 x 25.19 x 26.57  
 Net weight : 185.000 lbs  
 Gross weight : 187.000 lbs  
 Length of drain hose : 150.00 cm  
 Length of supply hose : 150.00 cm  
 Dimensions of the packed product (HxWxD) : 875 x 640 x 675 mm  
 Gross weight : 84.8 kg  
 Power consumption standby/network (Please check the user manual for how to switch off the WiFi module) : 2.0 W  
 Connection Rating : 2300 W  
 Fuse protection : 10 A  
 Voltage : 220-240 V  
 Frequency : 50 Hz  
 Water protection system : Aquastop  
 Maximum spin speed : 1600 rpm  
 Spin speed options : Variable  
 Digital countdown indicator : Yes  
 Progress indicator : LED-display

