

# TUBE ISLAND

ELICA DESIGN CENTER

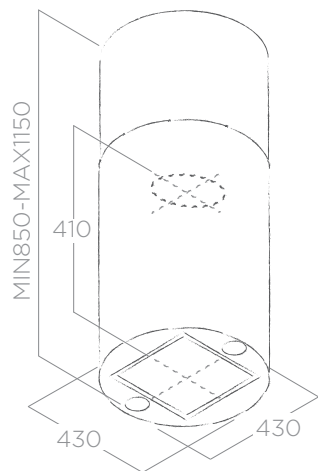


## SCHEDA TECNICA TECHNICAL FEATURES

Size Dimensions	Ø43 cm
Version Version	Duct-out Extraction
Finish Finition	Stainless steel Acier inox

WALL VERSION P. 52

VERSION AU MUR P. 52



## ECLAIRAGE LIGHTING

Type Type	LED 2 x 3 W
Intensity Intensité	457 LUX
Temperature Température	2700 K

## PERFORMANCE PERFORMANCE

Controls Commandes	3S+B Touch Control with display Commandes Tactiles 3V+I Écran Digital
Min - max airflow Débit d'air min - max	300 - 800 m <sup>3</sup> /h
Min - max noise level Niveau sonore min - max	48 - 62 db(A)
Total absorption Absorption totale	256 W
Duct size Sortie	150 mm
Grease aluminium Filter included Filtre à graisse en aluminium inclus	

## ACCESSORIES ACCESSOIRES

Long life filter Filtre longue durée	CFC0140423
--------------------------------------	------------

## MODELS MODÈLES

TUBE ISLAND IX/A/43	PRF0009572A
---------------------	-------------

