

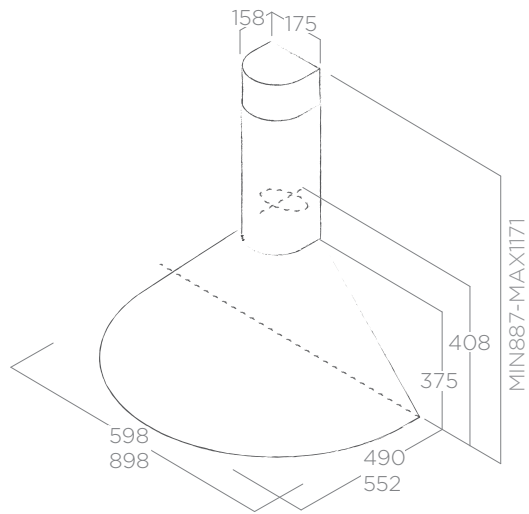
# TONDA

ELICA DESIGN CENTER



## TECHNICAL FEATURES INFORMATIONS TECHNIQUES

Size Dimensions	60 - 90 cm
Version Version	Recycling Recyclage
Finish Finition	Stainless steel Acier inox



## ECLAIRAGE LIGHTING

Type Type	LED 2 x 3 W
Intensity Intensité	78 LUX
Temperature Température	2700 K

## PERFORMANCE PERFORMANCE

Controls Commandes	3s Slider Curseur 3V
Min - max airflow Débit d'air min - max	350 - 520 m <sup>3</sup> /h
Min - max noise level Niveau sonore min - max	60 - 67 db(A)
Total absorption Absorption totale	180 W
Duct size Sortie	120 mm
Grease aluminium Filter included Filtre à graisse en aluminium inclus	
Charcoal filter included Filtre charbon longue durée inclus	

## ACCESSORIES ACCESSOIRES

Charcoal Filter Filtre à charbon	CFC0140124
----------------------------------	------------

## MODELS MODÈLES

TONDA IX F/60	2938000C
TONDA IX F/90	2937999C

