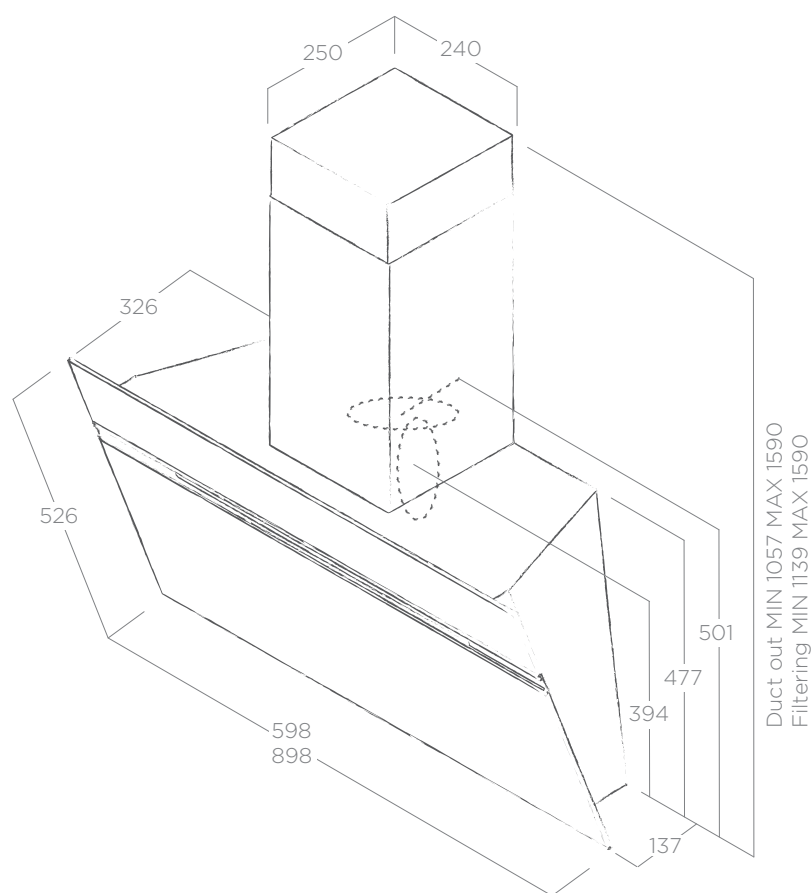




# STRIPE

ELICA DESIGN CENTER



BACK  
ASPIRATION

WALL



SMART  
INSTALLATION



CM 45



CM 65

## TECHNICAL FEATURES INFORMATIONS TECHNIQUES

Size Dimensions	60 - 90 cm
Version Version	Duct-out Extraction
Finish Finition	Black glass - White glass Stainless steel Verre noir - Verre blanc Acier inox

### ECLAIRAGE LIGHTING

Type Type	LED 2 x 2,5 W
Intensity Intensité	203 LUX
Temperature Température	3500 K

### PERFORMANCE PERFORMANCE

Controls Commandes	3s+b Touch control Commandes Tactiles 3V+I
Min - max airflow Débit d'air min - max	300 - 900 m <sup>3</sup> /h
Min - max noise level Niveau sonore min - max	50 - 65 db(A)
Total absorption Absorption totale	265 W
Duct size Sortie	150 mm

Grease aluminium Filter included Filtre à graisse en aluminium inclus

### ACCESSORIES ACCESSOIRES

Charcoal Filter Filtre à charbon	CFC0140343
----------------------------------	------------

### MODELS MODÈLES

STRIPE BL/A/60	PRF0100990B
STRIPE BL/A/90	PRF0100991B
STRIPE WH/A/60	PRF0100994B
STRIPE WH/A/90	PRF0100995B
STRIPE IX/A/60	PRF0100992B
STRIPE IX/A/90	PRF0100993B