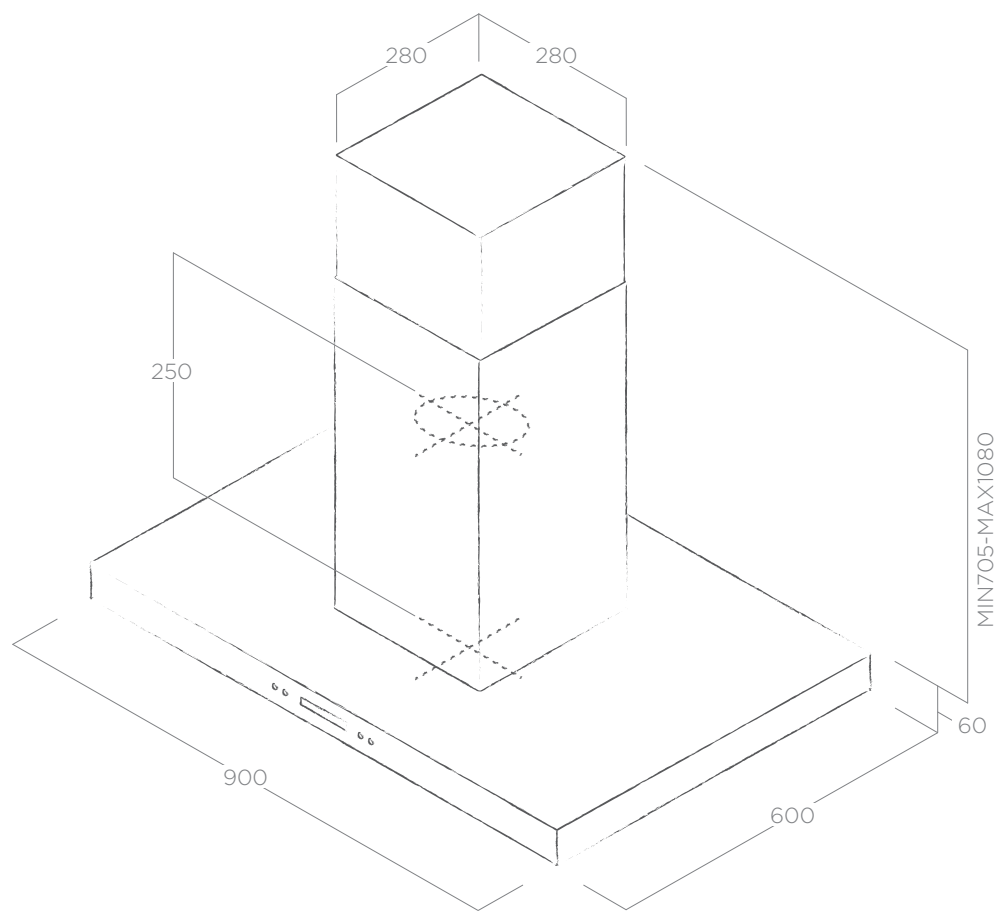




SPOT PLUS ISLAND

ELICA DESIGN CENTER



LONG LIFE
FILTER

ISLAND



CM 50



CM 65

WALL VERSION P. 36

VERSION AU MUR P. 36

TECHNICAL FEATURES INFORMATIONS TECHNIQUES

Size Dimensions	60x90 cm
Version Version	Duct-out Extraction
Finish Finition	Stainless steel Acier inox

ACCESSORIES ACCESSOIRES

Charcoal Filter Filtre à charbon	CFC0141529
Long life filter Filtre longue durée	CFC0141725

ECLAIRAGE LIGHTING

Type Type	LED 4 x 2,5 W
Intensity Intensité	410 LUX
Temperature Température	4000 K

PERFORMANCE PERFORMANCE

Controls Commandes	3S+B LCD LCD 3V+I
Min - max airflow Débit d'air min - max	300 - 900 m ³ /h
Min - max noise level Niveau sonore min - max	44 - 64 db(A)
Total absorption Absorption totale	270 W
Duct size Sortie	150 mm

MODELS MODÈLES

Grease aluminium Filter included Filtre à graisse en aluminium inclus

SPOT PLUS ISLAND IX/A/90

PRF0097375



73

ISLAND