

# SPOT NG

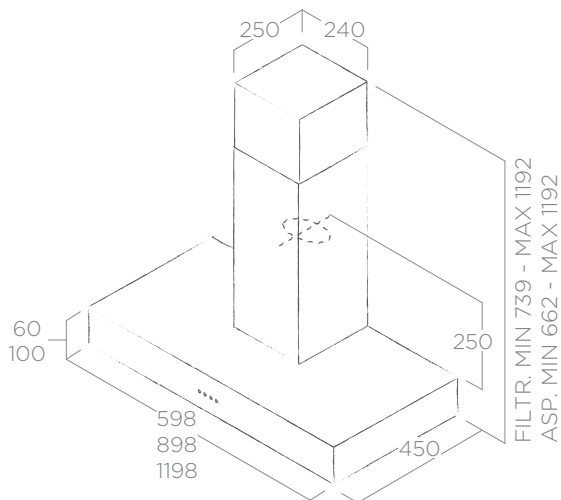
ELICA DESIGN CENTER



WALL

## TECHNICAL FEATURES INFORMATIONS TECHNIQUES

Size Dimensions	60 - 90 - 120 cm
Version Version	Duct-out Extraction
Finish Finition	Stainless steel Acier inox



## ECLAIRAGE LIGHTING

Type Type	LED 2 x 2,5 W, LED 3 x 2,5 W (120 cm)
Intensity Intensité	141 LUX, 211 LUX (120 cm)
Temperature Température	3500 K

## PERFORMANCE PERFORMANCE

Controls Commandes	3s Mechanical Push Button Clavier Mécanique 3V
Min - max airflow Débit d'air min - max	250 - 550 m <sup>3</sup> /h
Min - max noise level Niveau sonore min - max	55 - 62 db(A)
Total absorption Absorption totale	140 W, 150 W (120 cm)
Duct size Sortie	150 mm
Grease aluminium Filter included Filtre à graisse en aluminium inclus	

## ACCESSORIES ACCESSOIRES

Charcoal Filter Filtre à charbon	CFC0141529
Long life filter Filtre longue durée	CFC0141725

## MODELS MODÈLES

SPOT NG H6 IX/A/60	55916388A
SPOT NG H6 IX/A/90	55916389A
SPOT NG H6 IX/A/120	PRF0099407A

