

PRO EUROPA

ELICA DESIGN CENTER



LONG LIFE FILTER



CM50

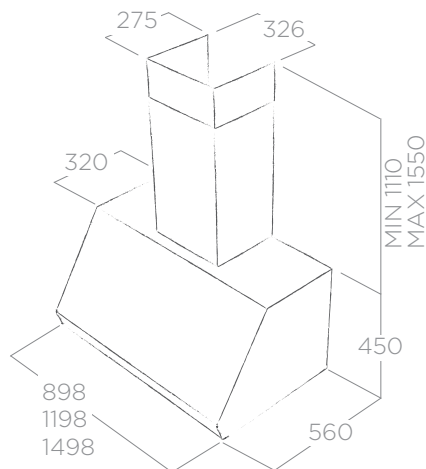


CM65

WALL

TECHNICAL FEATURES INFORMATIONS TECHNIQUES

Size Dimensions	90 - 120 - 150 cm
Version Version	Duct-out only Seule extraction
Finish Finition	Stainless steel Acier inox



ECLAIRAGE LIGHTING

Type Type	LED 2 x 2,5 W (90 cm) LED 4 X 2,5 W (120 - 150 cm)
Intensity Intensité	145 LUX (90 cm) 201 LUX (120 - 150 cm)
Temperature Température	3500 K

PERFORMANCE PERFORMANCE

Controls Commandes	3S Mechanical Rotative Rotatif Mécanique 3V
Min - max airflow Débit d'air min - max	400 - 1250 m ³ /h
Min - max noise level Niveau sonore min - max	44 - 67 db(A)
Total absorption Absorption totale	390 W (90cm), 430 W (120/150 cm)
Duct size Sortie	150 - 200 mm

Professional stainless steel grease filter included
Filtre à graisse professionnel acier inox inclus

MODELS MODÈLES

PRO EUROPA IX/A/90	PRF0051792A
PRO EUROPA IX/A/120	PRF0051793A
PRO EUROPA IX/A/150	PRF0051796A

