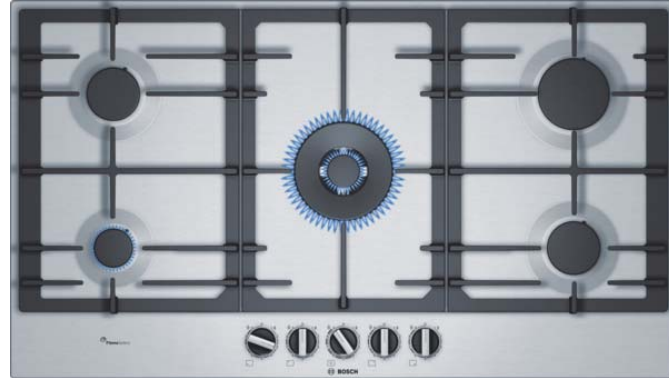




BOSCH



Bosch
 PCR9A5B90M
 Gas hob, autarkic

Predecessor:

Successor:

EAN code:
 4242002977546

sales programme:

Serie | 6
PCR9A5B90M
90 cm, Gas hob with integrated controls, Stainless steel

Design:

- Stainless steel

Comfort:

- FlameSelect
- Sword control knobs
- 1 Hand ignition
- Cast iron continuous pan supports

Power and size:

- 5 Gas burners
- Dual wok burner
- 1 rapid, 2 standard, 1 economy, 1 Wok burner
- Left rear: Standard burner up to 1.75 KW (depending on gas type)
- Right rear: Rapid burner up to 3 KW (depending on gas type)
- Center: Wok burner up to 5 KW (depending on gas type)
- Left front: Economy burner up to 1 KW (depending on gas type)
- Right front: Standard burner up to 1.75 KW (depending on gas type)

Environment+safety:

- Flame failure safety device
- Preset nozzle: Liquid gas (28-30/37mbar)

Measurements:

- Power cord length 1m

Accessories

- Natural gas nozzles (20 mbar) included

Included accessories**Optional accessories**

- HEZ211310 Simmer cap
- HEZ298105 Simmer plate
- HEZ298107 Wok ring
- HEZ298115 Small pot support

Alternative colors available**Technical Data****Characteristics**

Product name/family : gas hob w integrated controls
 Construction type : Built-in
 Energy input : Gas
 Total number of positions that can be used at the same time : 5
 Required niche size for installation (HxWxD) : 45 x 850-852 x 490-502
 Width of the product (mm) : 915
 Dimensions of the product (mm) : 45 x 915 x 520
 Dimensions of the packed product (HxWxD) (mm) : 165 x 1116 x 659
 Net weight (kg) : 15.521
 Gross weight (kg) : 18.0
 Residual heat indicator : without
 Location of control panel : Hob front
 Basic surface material : Stainless steel
 Color of surface : Stainless steel
 Color of frame : Stainless steel
 Approval certificates : CE, Eurasian, G-Mark
 Length electrical supply cord (cm) : 100
 Knob Material : Plastic
 Sealed Burners : No
 Type of pan support : Elongated cast iron pan support

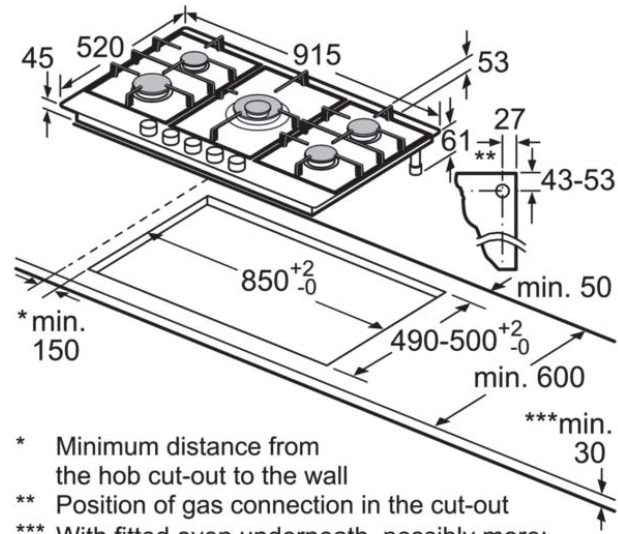
Consumption and connection features

Electrical connection rating (W) : 1
 Gas connection rating (W) : 12500
 Current (A) : 3
 Voltage (V) : 220-240
 Frequency (Hz) : 60; 50
 Main colour of product : Stainless steel
 Energy input : Gas
 Gas type : Liquidgas G30,31 28-30/37 mbar
 Alternative gas type : Nat gas H/E(L) 20 (25) mbar
 Approval certificates : CE, Eurasian, G-Mark
 Dimensions of the packed product (in) : 6.49 x 25.94 x 43.93
 Net weight (lbs) : 34
 Gross weight (lbs) : 39
 Total number of positions that can be used at the same time : 5
 Length electrical supply cord (cm) : 100
 Required niche size for installation (HxWxD) : 45 x 850-852 x 490-502
 Dimensions of the product (mm) : 45 x 915 x 520
 Dimensions of the packed product (HxWxD) (mm) : 165 x 1116 x 659
 Net weight (kg) : 15.521



BOSCH

Serie | 6
PCR9A5B90M
90 cm, Gas hob with integrated controls, Stainless steel



- * Minimum distance from the hob cut-out to the wall
 - ** Position of gas connection in the cut-out
 - *** With fitted oven underneath, possibly more; see space requirements for the oven
- measurements in mm