

MISSY

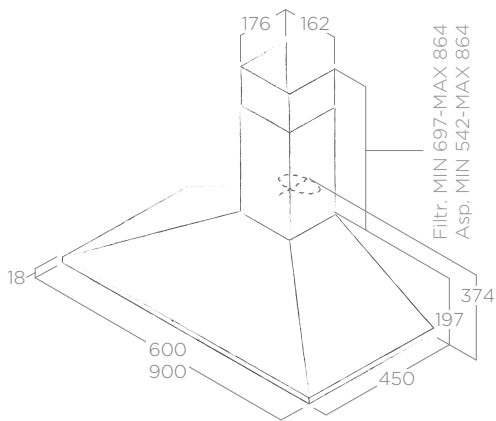
ELICA DESIGN CENTER



WALL

TECHNICAL FEATURES INFORMATIONS TECHNIQUES

Size Dimensions	60 - 90 cm
Version Version	Duct-out Extraction / Recycling* Recyclage*
Finish Finition	Stainless steel Acier inox



ECLAIRAGE LIGHTING

Type Type	LED 2 x 3 W	ELX
Intensity Intensité	97 LUX	LED 2 x 3 W
Temperature Température	3700 K	97 LUX
		3700 K

PERFORMANCE PERFORMANCE

Controls Commandes	3s Slider Curseur 3V	ELX (*) 3S Mechanical Push Button Clavier Mécanique 3V
Min - max airflow Débit d'air min - max	250 - 500 m ³ /h	300 - 800 m ³ /h
Min - max noise level Niveau sonore min - max	49 - 68 db(A)	44 - 67 db(A)
Total absorption Absorption totale	96 W	186 W
Duct size Sortie	150 mm	150 mm
Grease aluminium Filter included Charcoal filter included*	Filtre à graisse en aluminium inclus Filtre charbon inclus*	Filtre à graisse en aluminium inclus Filtre charbon inclus*

ACCESSORIES ACCESSOIRES

Charcoal Filter Filtre à charbon	CFC0141497
----------------------------------	------------

MODELS MODÈLES

MISSY IX/A/60	PRF0004024C
MISSY IX/A/90	PRF0004022C
MISSY ELX IX/F/60 (*)	PRF0154575
MISSY ELX IX/F/90 (*)	PRF0154578

