



Siemens  
LC97WA532  
Chimney hood

Predecessor:

Successor:

EAN code:  
4242003646205

sales programme:

**IQ300**  
**LC97WA532 stainless steel**  
**Chimney hood**  
**Pyramidal design**  
**90 cm wide**

**Variant:**

**Design:**

**Operating and power:**

**Environment and safety:**

**Comfort:**

**Measures:**

- 90 cm Chimney hood
- Appliance colour: stainless steel
- Suitable for ducted or re-circulated extraction
- For recirculated extraction recirculating kit or CleanAir recirculating kit (accessory) needed
- Wall mounted hood
- wall fixing system
- Innerframe
- Electronic controls
- Push button controls, backlighted
- 3 speeds plus intensive setting
- Automatic revert setting, 6 minutes
- Twin channel high performance fan motor
- Efficient BLDC-technology
- 3 x LED 3W
- Metal grease filter, dishwasher safe
- Extraction rate according to EN 61591 ø 15 cm:  
max. Normal use 460 m<sup>3</sup>/h  
Intensive 730 m<sup>3</sup>/h
- Noise level according to EN 60704-3 und EN 60704-2-13 exhaust air:  
Max. normal use: 55 dB(A) re 1 pW sound pressure: 41 dB(A)  
Intensive: 65 dB(A) re 1 pW (51 dB(A) re 20 µPa sound pressure)
- Additional noise insulation
- Dimensions exhaust air (HxWxD): 672-954 x 900 x 500 mm
- Dimensions recirculating (HxWxD): 672-1064 x 900 x 500 mm
- Dimensions recirculating with cleanAir module (HxWxD):  
689 x 900 x 500 mm - mounting with outer chimney  
809-1139 x 900 x 500 mm - mounting with telescopic chimney
- Diameter pipe Ø 150 mm (Ø 120 mm enclosed)
- Power rating: 139 W
- Light Intensity: 897 lux
- Colour Temperature: 3500 K
- Energy Efficiency Class: A+ (at a range of energy efficiency classes from A++ to E)
- Average Energy Consumption: 32.5 kWh/year
- Blower Efficiency Class: A\*

**Included accessories**

**Optional accessories**

- LZ57300 cleanAir Recirculation Kit
- LZ56200 CleanAir active carbon filter spare part
- LZ53451 Active carbon filter
- LZ53450 Recirculating kit
- LZ50960 Backboard 90x65cm
- LZ12365 Chimney extension 1500 mm
- LZ12265 Chimney extension 1000 mm
- LZ00XPP00 CleanAir act. carbon filter regenerative
- HZG9AS00S Adapter

**Alternative colors available**

**Technical Data**

**Characteristics**

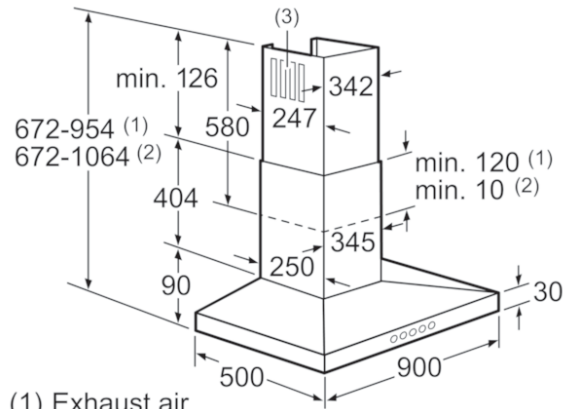
Color chimney : Stainless steel  
Typology : Chimney  
Approval certificates : CE, Eurasian, VDE  
Length electrical supply cord (cm) : 130  
Height of the chimney (mm) : 582-864/582-974  
Height of product, without chimney (mm) : 90  
Net weight (kg) : 17.968  
Type of control : Electronic  
Maximum output air extraction (m<sup>3</sup>/h) : 460  
Boost position output recirculating (m<sup>3</sup>/h) : 430  
Maximum output recirculating air (m<sup>3</sup>/h) : 350  
Boost position air extraction (m<sup>3</sup>/h) : 730  
Number of lights : 3  
Noise level (dB) : 55  
Diameter of air outlet (mm) : 150 / 120  
Grease filter material : Washable aluminium  
Odour filter : No  
Operating Mode : Convertible  
Optional accessories : HZG9AS00S, LZ00XPP00, LZ12265, LZ12365, LZ50960, LZ53450, LZ53451, LZ56200, LZ57300  
Type of lamps used : LED  
Total power of the lamps (W) : 9  
Grease filter type : Kasette

**Consumption and connection features**

Connection Rating (W) : 139  
Current (A) : 10  
Voltage (V) : 220-240  
Frequency (Hz) : 50; 60  
Plug type : Gardy plug w/ earthing  
Installation typology : Wall-mounted  
Material body : Stainless steel  
Approval certificates : CE, Eurasian, VDE  
Plug type : Gardy plug w/ earthing  
Dimensions of the packed product (in) : 23.03 x 25.59 x 38.18  
Net weight (lbs) : 40  
Gross weight (lbs) : 52  
Motor location : Integrated motor in hood chimney  
No-return airflow flap : Yes  
Length electrical supply cord (cm) : 130  
Dimensions of the product, with chimney (if exists) (mm) : 672-1064 x 900 x 500

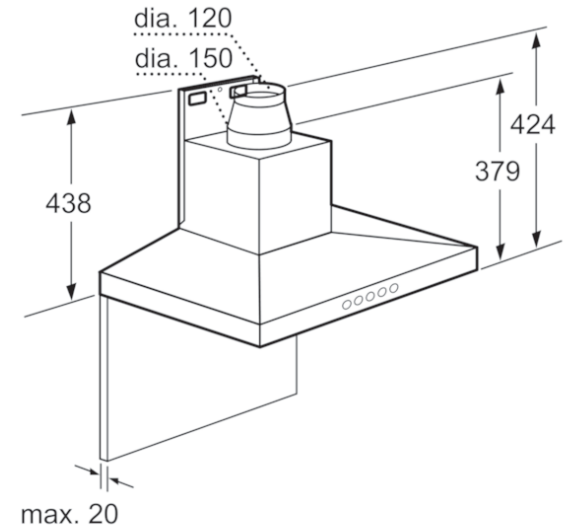
# SIEMENS

**iQ300**  
**LC97WA532 stainless steel**  
 Chimney hood  
 Pyramidal design  
 90 cm wide



- (1) Exhaust air
- (2) Circulated
- (3) Air outlet - For exhaust air, fit with the slots facing downwards

measurements in mm



Measurements in mm

