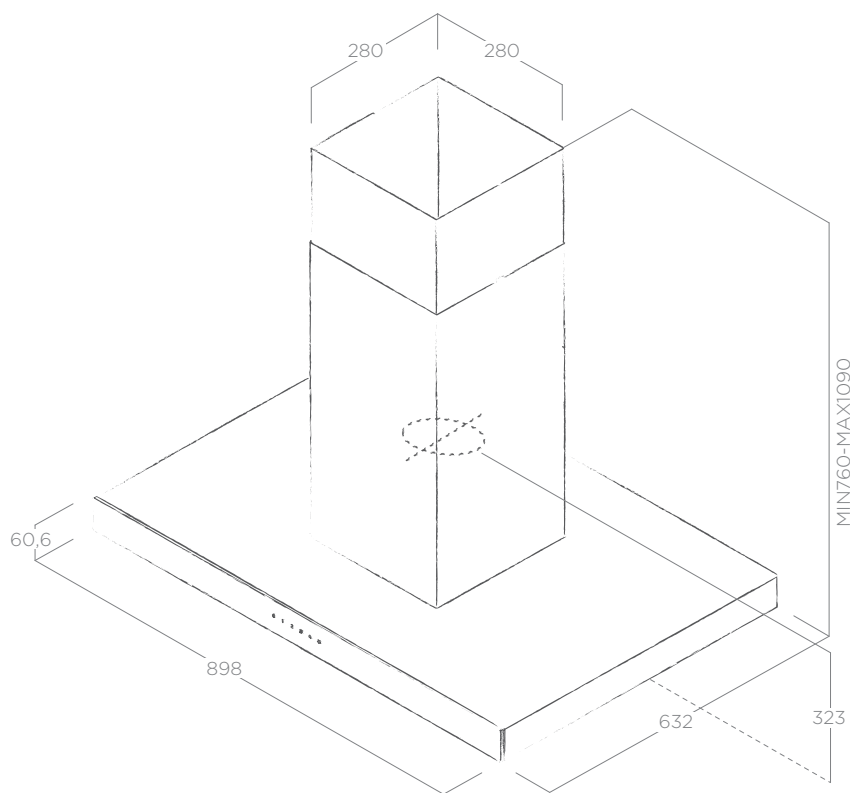


# JOY ISLAND

ELICA DESIGN CENTER



LONG LIFE  
FILTER



CM 50



CM 65

WALL VERSION P. 38

VERSION AU MUR P. 38

## TECHNICAL FEATURES INFORMATIONS TECHNIQUES

Size Dimensions	60x90 cm
Version Version	Duct-out Extraction
Finish Finition	Stainless steel + black glass, stainless steel + white glass Acier inox + Verre noir, Acier inox + Verre blanc

### ACCESSORIES ACCESSOIRES

Charcoal Filter Filtre à charbon	CFC0141529
Long life filter Filtre longue durée	CFC0141725

### ECLAIRAGE LIGHTING

Type Type	LED 4 x 2,5 W
Intensity Intensité	281 LUX
Temperature Température	3500 K

### PERFORMANCE PERFORMANCE

Controls Commandes	3S+ B Touch Control Commandes Tactiles 3V+I
Min - max airflow Débit d'air min - max	350 - 1000 m <sup>3</sup> /h
Min - max noise level Niveau sonore min - max	51 - 69 db(A)
Total absorption Absorption totale	270 W
Duct size Sortie	150 mm

### MODELS MODÈLES

Grease aluminium Filter included Filtre à graisse en aluminium inclus

JOY ISLAND BLIX/A/90	PRF0104628A
JOY ISLAND WHIX/A/90	PRF0104629A

