

**Series 8, Gas range cooker, Stainless steel  
HIZ5G7W51S**



**Included accessories**

- 1 x rotary spit
- 1 x nozzle set for liquid gas
- 1 x cross support for espresso
- 1 x grid
- 1 x universal pan

**The gas Range Cooker with gas hob: enjoy the benefits of gas when cooking and baking.**

- Cast Iron Pan Support provides extra support for your heavier pots and pans.
- Full Safety automatically cuts off the supply of gas to your burner and oven at the same time, if the flame is extinguished for any reason.
- Full Catalytic cleans itself on side and rear surfaces thanks to catalytic panels while cooking with ease and pleasure.
- XXL Cavity delivers you 125 litres of maximum space to bake and roast meals in bigger portions for your family and guests.
- Effortless cleaning with removable inner glass.

**Technical Data**

Built-in / Free-standing : Free-standing

Dimensions : 914-959x894x607 mm

Length electrical supply cord : 140 cm

Net weight : 78.1 kg

Gross weight : 84.1 kg

Heating modes: : Circulated gas bottom heat, defrost, Gas bottom & hot air & ring, Gas bottom heating, Gas grill/broiler, rotisserie

Integrated Cleaning system : Ecolyse coating all sides

Included accessories : 1 x rotary spit, 1 x nozzle set for liquid gas, 1 x cross support for espresso, 1 x grid, 1 x universal pan

Broil Element Wattages cavity 1 : 3100 W

Power of heating element (kW) : 3000 W

Power of 3rd heating element (kW) : 1750.00 W

Energy efficiency class (2010/30/EC) : Not applicable

Connection Rating : 1700 W

Fuse protection : 16 A

Voltage : 220-240 V

Frequency : 50; 60 Hz

Plug type : Gardy plug w/ earthing

Energy input : Gas

Gas type preset : Nat gas H/E/(L) 20 (25) mbar

Gross weight : 185.000 lbs

Length electrical supply cord : 140 cm

Dimensions : 914-959x894x607 mm

Dimensions of the packed product (HxWxD) : 870 x 980 x 710 mm



## Series 8, Gas range cooker, Stainless steel HIZ5G7W51S

**The gas Range Cooker with gas hob: enjoy the benefits of gas when cooking and baking.**

---

### **Cooktop:**

- Gas hob
- 1 rapid, 2 standard, 1 economy, 1 wok burner
- Front left: Rapid burner 3 KW
- Rear left: Standard burner 1.75 KW
- Center: Wok burner 4.2 KW
- Rear right: Standard burner 1.75 KW
- Front right: Economy burner 1 KW
- Knob ignition
- Flame failure safety device
- Cast iron continuous pan supports

### **Type of oven / heating system:**

- Gas oven
- 6 cooking functions:
  - Defrost setting
  - Rotisserie
  - Gas grill
  - Gas bottom heat
  - Gas bottom & hot air & ring
  - Circulated gas bottom heat

### **Cleaning:**

- Full glass inner door
- Catalytic coating: Roof, Fan, Rear wall, Side

### **Design:**

- Extra large net capacity oven (125 l)
- smooth cavity

### **Comfort:**

- Halogen interior lighting
- Electronic timer
- Storage compartment

### **Technical Information**

- Preset for natural gas (20mbar)

### **Accessory:**

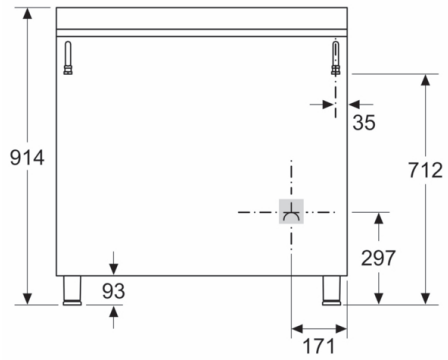
- 1 x rotary spit, 1 x nozzle set for liquid gas, 1 x cross support for espresso, 1 x grid, 1 x universal pan

### **Dimensions:**

- Appliance dimension (HxWxD): 914 mm x 894 mm x 607 mm
- Adjustable feet by 45 mm

## Series 8, Gas range cooker, Stainless steel HIZ5G7W51S

measurements in mm



⚡ Socket

measurements in mm

