

**Serie | 2, Gas range cooker, White
HGV1F0V20S**



The gas Range Cooker with gas hob: enjoy the benefits of gas when cooking and baking.

- Comfortable usage due to high quality sword knobs.
- **High output burner:** cooking at up to 3 kW.
- Continuous grate design to easily move heavy pots and pans.
- With a special enameling process, the grates can be easily cleaned in the dishwasher.

Technical Data

| | |
|---|--|
| Built-in / Free-standing : | Free-standing |
| Dimensions : | 884 x 899 x 607 |
| Length electrical supply cord (cm) : | 120 |
| Net weight (kg) : | 71.416 |
| Gross weight (kg) : | 77.0 |
| Cooking method : | defrost, Gas bottom heating, Gas grill/broiler, rotisserie |
| Integrated Cleaning system : | No |
| Storage compartment - cavity 1 : | Yes |
| Broil Element Wattages cavity 1 (W) : | 3100 |
| Connection Rating (W) : | 47 |
| Current (A) : | 16 |
| Voltage (V) : | 220-240 |
| Frequency (Hz) : | 50; 60 |
| Energy input : | Gas |
| Gas type : | LPG G30 30 mbar |
| Approval certificates : | CE |
| Appliance Dimensions (h x w x d) (in) : | x 899 MM x |
| Gross weight (lbs) : | 170.000 |
| Length electrical supply cord (cm) : | 120 |
| Dimensions : | 884 x 899 x 607 |
| Dimensions of the packed product (HxWxD) (mm) : | 860 x 695 x 950 |



Serie | 2, Gas range cooker, White HGV1F0V20S

The gas Range Cooker with gas hob: enjoy the benefits of gas when cooking and baking.

Cooktop:

- Gas hob
- 1 rapid, 2 standard, 1 economy, 1 wok burner
- Front left:Rapid burner3 KW
- Rear left:Standard burner1.75 KW
- Center:Wok burner3.6 KW
- Rear right:Standard burner1.75 KW
- Front right:Economy burner1 KW
- 1 Hand ignition
- Flame failure safety device
- Steel pan supports,Steel pan supports
- Glass cover lid

Type of oven / heating system:

- Gas oven
- 4 cooking functions:
 - Rotisserie
 - Gas grill
 - Gas bottom heat
 - Defrost setting
 - Hot air & bottom heat
- Rotary spit

Design:

- Extra large net capacity oven (125 l)
- smooth cavity

Cleaning:

- Full glass inner door

Comfort:

- Halogen interior lighting
- Mechanicaltimer
- Storage compartment

Accessory:

- cross support for espresso,enameled baking tray,grid, nozzle set for natural gas,rotary spit

Technical Information

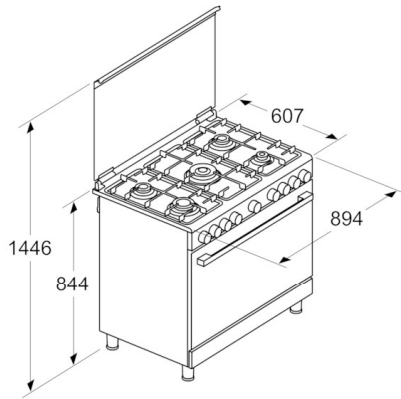
- LPG G30 30 mbar
- Natural gas nozzles (20 mbar) included

Dimensions:

- Appliance dimension (hxwx):884 mmx899 mmx607 mm
- Adjustable feet by45 mm

**Serie | 2, Gas range cooker, White
HGV1F0V20S**

measurements in mm



measurements in mm

