

GALAXY ISLAND

ELICA DESIGN CENTER

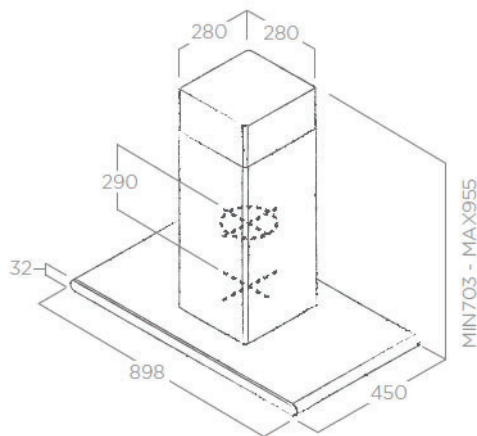


TECHNICAL FEATURES INFORMATIONS TECHNIQUES

Size Dimensions	90x45 cm
Version Version	Duct-out Extraction
Finish Finition	Stainless steel + white glass / black glass Acier inox + verre blanc / verre noire

WALL VERSION P. 85

VERSION MURALE P. 85



LIGHTING ECLAIRAGE

Type Type	Led 4x2,5 W
Intensity Intensité	290 LUX
Temperature Température	3500 K

PERFORMANCE PERFORMANCE

Controls Commandes	3S+B Touch Control Commandes Tactiles 3V+I
Min-max airflow Aspiration min-max	350 - 900 m³/h
Min-Max noise level Niveau sonore min-max	52 - 69 db(A)
Total absorption Absorption totale	270 W
Duct size Sortie	150 mm

Grease aluminium filter included Filtre à graisse en aluminium inclus

ACCESSORIES ACCESSOIRES

Charcoal Filter Filtre à charbon	CFC0141529
Long Life Filter Filtre longue durée	CFC0141725

MODELS MODELES

GALAXY ISLAND BLIX/A/90x45	PRF0017852B
GALAXY ISLAND WHIX/A/90x45	PRF0019192B

