

**Serie | 2, , 90 cm, clear glass black printed  
DWK095G60T**



**Optional accessories**

DWAOLK6A : Standard odor filter

**The wall-mounted chimney hood: mount it on the wall, giving you complete freedom in your kitchen planning.**

- With exhaust, the air is cleaned by a grease filter and then ducted to the outside which ensures optimal kitchen air quality.
- 3-Speed Power Level Options To Suit Your Cooking Style And Recipes
- Converts to Recirculation Mode with Accessory Kit (Separate Purchase Required)
- Absorbs odors with Charcoal Replacement Filters (Available for sale)
- Ducted or Non-ducted Options

**Technical Data**

Typology :	Chimney
Length electrical supply cord (cm) :	130
Height of product, without chimney (mm) :	354
Net weight (kg) :	13.489
Type of control :	Electronic
Number of speed settings :	3
Maximum output air extraction (m3/h) :	629
Maximum output recirculating air (m3/h) :	230
Number of lights :	2
Noise level (dB) :	67
Diameter of air outlet (mm) :	150 / 120
Grease filter material :	Washable aluminium
Odour filter :	No
Operating Mode :	Convertible
Optional accessories :	DWAOLK6A
Type of lamps used :	LED
Grease filter type :	Kassette
Connection Rating (W) :	216
Current (A) :	10
Voltage (V) :	220-240
Frequency (Hz) :	50
Plug type :	Gardy plug w/ earthing
Installation typology :	Wall-mounted
Material body :	Glass, Lacquered
Plug type :	Gardy plug w/ earthing
Dimensions of the product, with chimney (if exists) (in) :	/ x x
Dimensions of the packed product (in) :	17.91 x 38.97 x 18.03
Net weight (lbs) :	30.000
Gross weight (lbs) :	36.000
Motor location :	Integrated motor in hood body
No-return airflow flap :	No
Length electrical supply cord (cm) :	130
Dimensions of the product, with chimney (if exists) (mm) :	x 896.0 x 386.0
Dimensions of the packed product (HxWxD) (mm) :	455 x 990 x 458
Net weight (kg) :	13.489
Gross weight (kg) :	16.5



## Serie | 2, , 90 cm, clear glass black printed DWK095G60T

**The wall-mounted chimney hood: mount it on the wall, giving you complete freedom in your kitchen planning.**

---

**Variant:**

**Design:**

**Technical information**

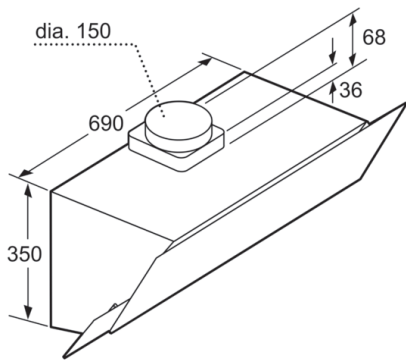
**Environment and safety:**

**Comfort:**

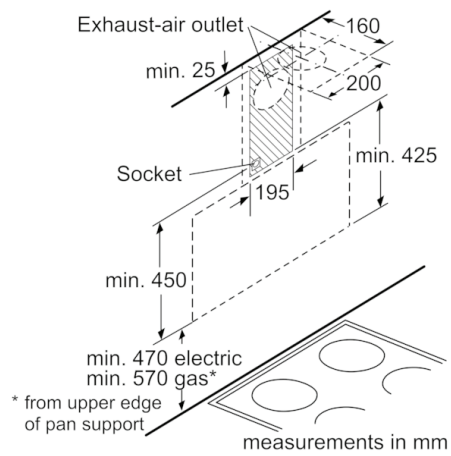
**Measures:**

- 90 cm Chimney hood
- 90 cm wide
- black with glass canopy
- Suitable for ducted or re-circulated extraction
- For recirculated extraction standard recirculation kit (accessory) needed
- Wall mounted hood
- TouchControl with Electronic display
- Electronic controls via TouchControl with Electronic display
- 3 speeds
- 2 x 3W led light
- Filter cover glass
- Metal grease filter, dishwasher safe
- Dimensions exhaust air (HxWxD): 750-1080 x 896 x 386 mm
- Dimensions recirculating (HxWxD): 860-1080 x 896 x 386 mm
- Diameter pipe Ø 150 mm (Ø 120 mm enclosed)

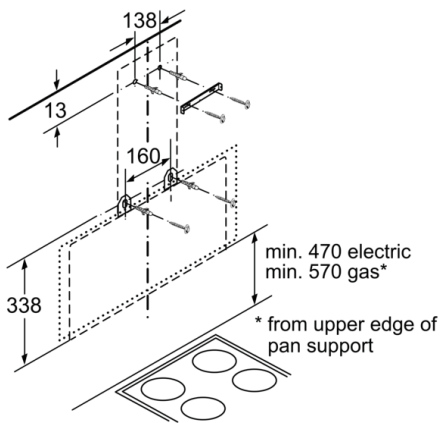
**Serie | 2 , , 90 cm, clear glass black printed  
DWK095G60T**



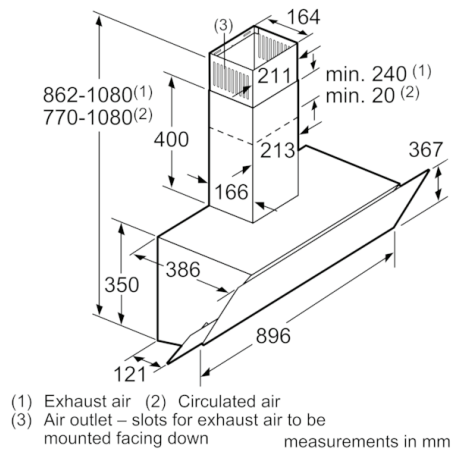
measurements in mm



measurements in mm



measurements in mm



(1) Exhaust air (2) Circulated air  
(3) Air outlet – slots for exhaust air to be mounted facing down  
measurements in mm