

## Serie | 8, wall-mounted cooker hood, 90 cm DWF97RU60


**B**

### Flat design hood: always keep an eye on your pots and pans with this design highlight.

- **especially silent:** maximal extractor performance with minimal noise
- **Easy-to-clean interior:** hidden screws and cables along with rounded edges make cleaning easy.
- **Grease filtration level:** filters out over 85% of the grease from kitchen air
- **EcoSilence Drive:** our highly efficient motor saves on energy, not on performance.
- **7-segment display with control ring:** settings and light can be selected conveniently by turning the control ring.
- **LED-Illumination:** The energy-saving lighting provides white and good lighting for the hob area.
- **Intensive speed setting:** removes strong kitchen odours especially quickly and effectively.
- **Extraction rate:** at MAX\_FOERDERLEISTUNG m<sup>3</sup>/h, it quickly ensures optimal kitchen air quality.
- **Intensive speed setting with reset:** automatically resets the hood to normal speed setting
- Ducted or Non-ducted Options



#### Optional accessories

DSZ5201 CleanAir active carbon filter spare part, DWZ0AF0A0 Standard odor filter (replacement), DWZ0AF0R0 Long Life recirculation kit (chimless), DWZ0AF0S0 Long Life recirculation kit, DWZ0AF0T0 Standard recirculation kit (chimless), DWZ0AF0U0 Standard recirculation kit, DWZ0AX5C0 CleanAir Recirculation Kit, DWZ0AX5K0 Chimney extension 1000 mm, DWZ0AX5L0 Chimney extension 1500 mm, DWZ1AX5C6 Clean Air Plus recirc. kit external, DWZ1AX6E1 Chimney standard black, DZZ0XX0P0 Long Life odor filter (replacement), DZZ1XX1B6 Clean Air Plus odor filter (replacement), HEZG9AS00S Adapter

#### Technical Data

Typology :	Chimney
Approval certificates :	CE, Eurasian, Ukraine, VDE
Length electrical supply cord (cm) :	130
Height of product, without chimney (mm) :	430
Net weight (kg) :	25.366
Type of control :	Electronic
Number of speed settings :	3-stage + 2 intensive
Maximum output air extraction (m <sup>3</sup> /h) :	394
Boost position output recirculating (m <sup>3</sup> /h) :	527.0
Boost position air extraction (m <sup>3</sup> /h) :	717
Number of lights :	2
Noise level (dB) :	57
Diameter of air outlet (mm) :	120 / 150
Grease filter material :	Washable aluminium
Odour filter :	No
Operating Mode :	Convertible
Delay Shut off modes :	1-99
Optional accessories :	DSZ5201, DWZ0AF0A0, DWZ0AF0R0, DWZ0AF0S0, DWZ0AF0T0, DWZ0AF0U0, DWZ0AX5C0, DWZ0AX5K0, DWZ0AX5L0, DZZ0XX0P0, HEZG9AS00S, DWZ1AX5C6, DZZ1XX1B6, DWZ1AX6E1
Type of lamps used :	LED
Grease filter type :	Kassette
Connection Rating (W) :	146
Current (A) :	10
Voltage (V) :	220-240
Frequency (Hz) :	50; 60
Plug type :	Gardy plug w/ earthing
Installation typology :	Wall-mounted
Material body :	Glass, Lacquered
Approval certificates :	CE, Eurasian, Ukraine, VDE
Plug type :	Gardy plug w/ earthing
Dimensions of the product, with chimney (if exists) (in) :	/ x x
Dimensions of the packed product (in) :	21.25 x 29.52 x 40.15
Net weight (lbs) :	56
Gross weight (lbs) :	72
Motor location :	Integrated motor in hood body
No-return airflow flap :	Yes
Length electrical supply cord (cm) :	130
Dimensions of the product, with chimney (if exists) (mm) :	550 x 890.0 x 263.0
Dimensions of the packed product (HxWxD) (mm) :	540 x 750 x 1020
Net weight (kg) :	25.366

## Serie | 8, wall-mounted cooker hood, 90 cm DWF97RU60

**Flat design hood: always keep an eye on your pots and pans with this design highlight.**

- Energy Efficiency Class: B (at a range of energy efficiency classes from A+++ to D)
- Average Energy Consumption: 40 kWh/year
- Blower Efficiency Class: B\*
- Lighting Efficiency Class: A
- Grease Filtering Efficiency Class: B
- Noise min./max. Normal Level: 43/57 dB

### Variant:

### Design:

### Technical information

### Performance

### Power:

### Environment and safety:

### Comfort:

### Measures:

### Technical information

- Wall Hood black Hood
- 90 cm
- 89 cm Chimney hood, black
- Glass plate: clear glass black printed
- Suitable for ducted or re-circulated extraction
- In recirculation operation chimless use possible
- For recirculated extraction a recirculating kit or a CleanAir recirculation kit (accessory) is needed
- Wall mounted hood
- easy wall fixing system
- PowerBoost position
- TouchControl, Rotary swivel
- Electronic controls
- TouchControl, Rotary swivel with Electronic display, 2x7-Segment display
- 3 speeds plus 2 intensive via TouchControl, Rotary swivel
- Electronic controls via TouchControl, Rotary swivel with Electronic display, 2x7-Segment display
- TouchControl, Rotary swivel (3 speeds plus 2 intensive) with Electronic display, 2x7-Segment display
- 3 speeds plus 2 intensive
- Automatic after running selectable 1- 99 min
- 2 capture areas: front side and bottom side
- Automatic revert setting, 6 minutes
- easy to clean Innerframe
- Light dimmer function
- SoftLight
- Efficient BLDC-technology
- Operation with gas cooktop not allowed
- 2 high-performance blower, Efficient BLDC-technology
- 2 x 3W LED
- Light Intensity: 589 lux
- Colour Temperature: 3500 K
- RimVentilation
- Saturation indicator for metal and charcoal filter
- Filter cover glass
- Metal grease filter, dishwasher safe
- Extraction rate according to EN 61591 ø 15 cm: max. Normal use 394 m<sup>3</sup>/h Intensive 717 m<sup>3</sup>/h
- Extraction rate exhaust air according to EN 61591 max. 717 m<sup>3</sup>/h
- Extraction rate according to EN 61591 ø 15 cm: max. Normal use 394 m<sup>3</sup>/h Intensive 717 m<sup>3</sup>/h
- Extraction rate exhaust air according to EN 61591: max. normal use 394 m<sup>3</sup>/h, intensive 717 m<sup>3</sup>/h
- Noise level according to EN 60704-2-13 at max. normal use exhaust air: 57 dB(A) re 1 pW
- Noise level according to EN 60704-2-13 exhaust air: Max. normal use: 57 dB(A) re 1 pW Intensive: 70 dB(A) re 1 pW
- Diameter pipe Ø 150 mm (Ø 120 mm enclosed)
- Max. extraction rate: 717 m<sup>3</sup>/h
- Extraction rate in recirculation mode: Max. normal use: 294 m<sup>3</sup>/h Intensive: 527 m<sup>3</sup>/h

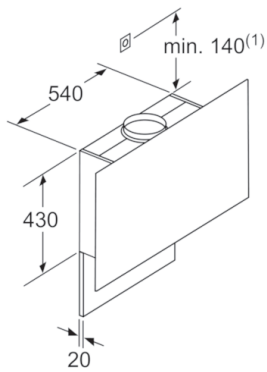
1279-1549 x 890 x 263 mm - mounting with telescopic chimney

- Dimensions recirculating, chimless (HxWxD): 550 mm x 890 x 263 mm

- 7-segment display with control ring

*\* In accordance with the EU-Regulation No 65/2014*

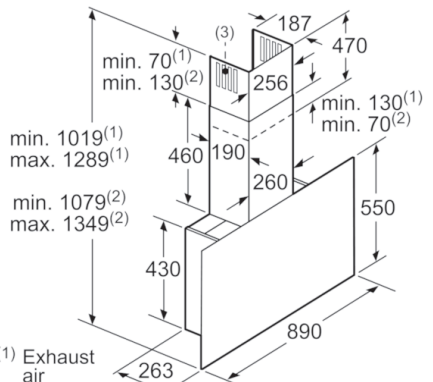
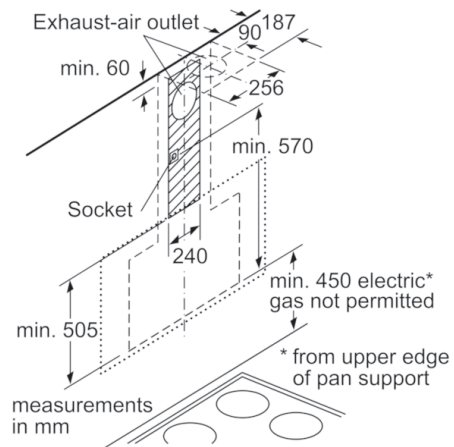
## Serie | 8, wall-mounted cooker hood, 90 cm DWF97RU60



(1) Position of socket

Note the maximum thickness of the back panel.

measurements in mm

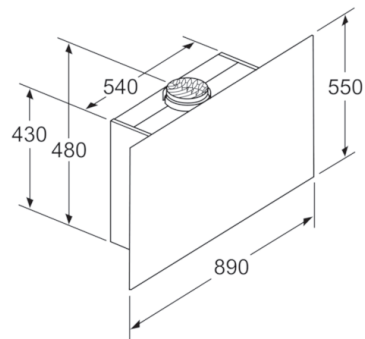


(1) Exhaust air

(2) Circulated air

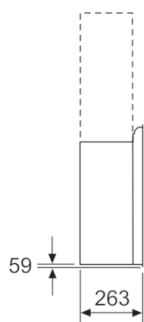
(3) Air outlet – slot for exhaust air to be mounted facing down

measurements in mm

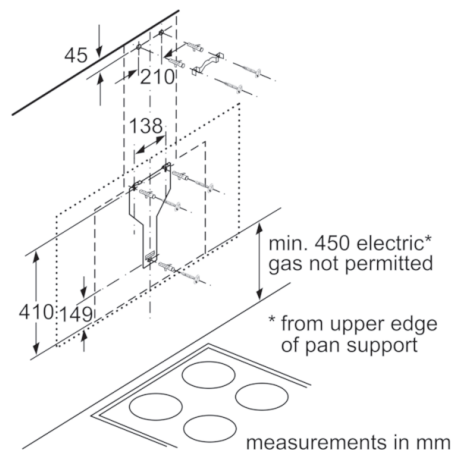


Appliance in circulated air mode without duct  
Circulated air set required

measurements in mm



measurements in mm



measurements in mm