

Series 8, Built-In Fully Automatic Coffee Machine, Black CTL9181B0



Included accessories

1 x assembly screws, 1 x milk container, 1 x test strip, 1 x connection hose for milk frother, 1 x milk pipe, 1 x welcome-Box

Optional accessories

TCZ7003 : Accessories small appliances

TCZ7033 : Water filter

TCZ8001A : Cleaning tablets

TCZ8002A : Descaling tablets

TCZ8004A : Care set espresso

- **TFT-touchdisplay Pro:** Smooth slide and touch display for comfortable operation.
- **Coffee World:** Discover the delicious taste of international coffee specialties.
- **Aroma Select:** The perfect aroma profile for every individual taste.
- **Favorites:** Save up to 30 individual coffee preferences.
- **Home Connect:** Discover smart home appliances that make everyday life easier.

Technical Data

Built-in / Free-standing : Built-in

Frothing nozzle : No

Display : No

Water protection system : no

Dimensions : 455 x 594 x 385 mm

Dimensions of the packed product (HxWxD) : 540 x 560 x 670 mm

Hot water spout : No

Standby function : Yes

Simultaneous preparation of 2 cups : Yes

Included accessories : 1 x assembly screws, 1 x milk container, 1 x test strip, 1 x connection hose for milk frother, 1 x milk pipe, 1 x welcome-Box

Optional accessories : TCZ7003, TCZ7033, TCZ8001A, TCZ8002A, TCZ8004A

Fuse protection : 10 A

Voltage : 220-240 V

Frequency : 50/60 Hz

Plug type : GARDY plug w/ earthing

Product group : Built-in coffee machine

Product name/family : Built-in coffee machine

Product name / Commercial code : CTL9181B0

Typology : Fully automatic

Length electrical supply cord : 170.0 cm

Maximum height for installation : 449 mm

Dimensions : 455 x 594 x 385 mm

Dimensions of the packed product (HxWxD) : 540 x 560 x 670 mm

Net weight : 42.000 lbs

Net weight : 18.9 kg

Gross weight : 49.000 lbs

Gross weight : 22.3 kg

Capacity water container : 2.4 l

Included accessories : 1 x assembly screws, 1 x milk container, 1 x test strip, 1 x connection hose for milk frother, 1 x milk pipe, 1 x welcome-Box



Series 8, Built-In Fully Automatic Coffee Machine, Black CTL9181B0

Flavour

- up to 33 beverages (incl. milk, milk foam and hot water) within appliance and Home Connect app
- warm milk, milk froth and hot water function
- AromaSelect – 3 different aroma profiles (mild-balanced-distinctive)
- adjustable milk ratio for classic milk-mix beverages
- intelligent strength adjustment – adaptive coffee management based on strength and size
- AromaDouble Shot – less bitterness in large beverages due to two brewing processes

Convenience

- TFT-Touchdisplay Pro - 6.8" TFT- color display with touch and slide functionality
- Favorites: save up to 30 personalised beverages
- automatic milk amount detection - suitable for included container, 1 liter milk carton or your individual container
- coffee pot function
- height adjustable beverage outlet (up to 15 cm high glasses)
- OneTouch DoubleCup - get two cups at a touch of a button
- 2.4 l removable water tank

Performance

- SilentCeram Drive – high-quality grinder made of wear-resistant ceramic
- water pump with 19 bar pressure

Hygiene

- AutoMilk Clean – automatic steam cleaning after every drink
- Calc'nClean – combined descaling and cleaning program for less effort
- removable brewing unit – for easy and hygienic cleaning
- dishwasher-proof: beverage outlet, drip tray and drip pans
- automatic reminder for cleaning, descaling or water filter change

Home Connect

- remote control – operate your appliance from everywhere
- Coffee Playlist – select several drinks in the app, prepared in your chosen order
- additional coffee know-how
- software update – always the newest software status
- online support
- Security: Security is of top priority at Home Connect. The Home Connect app has been tested and certified by TÜV IT. And the encrypted data transfer via Home Connect protocol protects against unauthorised access.

Miscellaneous

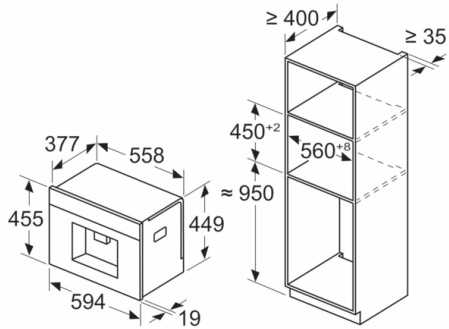
- integrated 0,7 l milk container
- 500 g bean container with aroma protection lid
- illuminated coffee outlet, stage and interior
- adjustable grinding degree (multi-level)
- child lock

Accessories

- included accessories: 1 x assembly screws, 1 x connection hose for milk frother, 1 x milk container, 1 x milk pipe, 1 x test strip, 1 x welcome-Box
- Separately available accessories: cleaning tablets (TCZ8001A), descaling tablets (TCZ8002A), BRITA Intenza water filter (TCZ7003), care set for fully-automatic espresso makers (TCZ8004A)

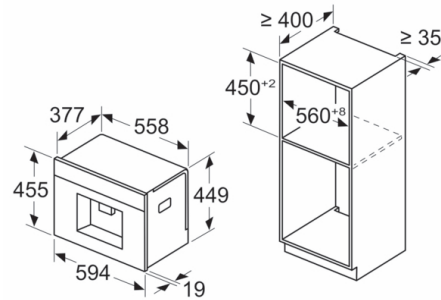
Series 8, Built-In Fully Automatic Coffee Machine, Black CTL9181B0

Measurements in mm



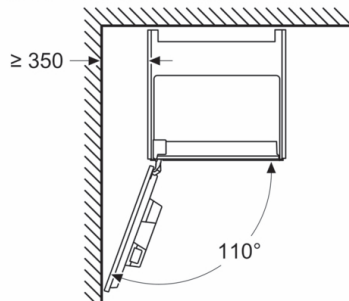
Bean and water containers are removed from the front
Recommended installation height
950–1450 mm

Measurements in mm



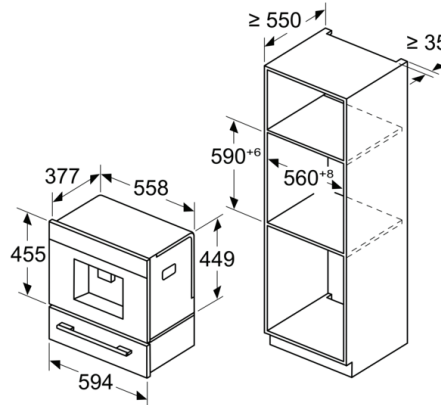
Bean and water containers are removed from the front
Recommended installation height
950–1450 mm

Measurements in mm
Left corner installation

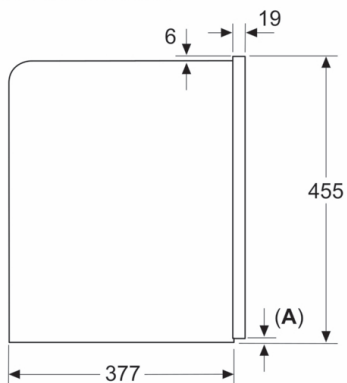


If using the 92° hinge limiter, the min. distance to the wall is only 100 mm

Measurements in mm



Measurements in mm



A: 7.5 mm