

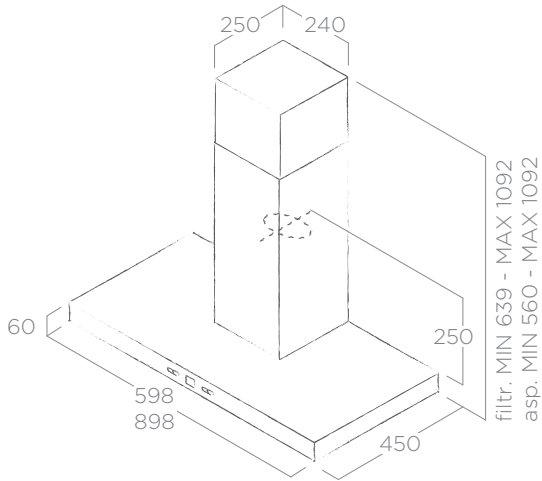
CRUISE

ELICA DESIGN CENTER



TECHNICAL FEATURES INFORMATIONS TECHNIQUES

Size Dimensions	60 - 90 cm
Version Version	Duct-out Extraction
Finish Finition	Stainless steel Acier inox



ECLAIRAGE LIGHTING

Type Type	LED 2 x 2,5 W
Intensity Intensité	145 LUX
Temperature Température	3500 K

PERFORMANCE PERFORMANCE

Controls Commandes	3S+B Touch Control with display Commandes Tactiles 3V+I Écran Digital
Min - max airflow Débit d'air min - max	350 - 900 m ³ /h
Min - max noise level Niveau sonore min - max	51 - 69 db(A)
Total absorption Absorption totale	265 W
Duct size Sortie	150 mm
Grease aluminium Filter included Filtre à graisse en aluminium inclus	

ACCESSORIES ACCESSOIRES

Charcoal Filter Filtre à charbon	CFC0141529
Long life filter Filtre longue durée	CFC0141725

MODELS MODÈLES

CRUISE IX/A/60	PRF0147062
CRUISE IX/A/90	PRF0147074

